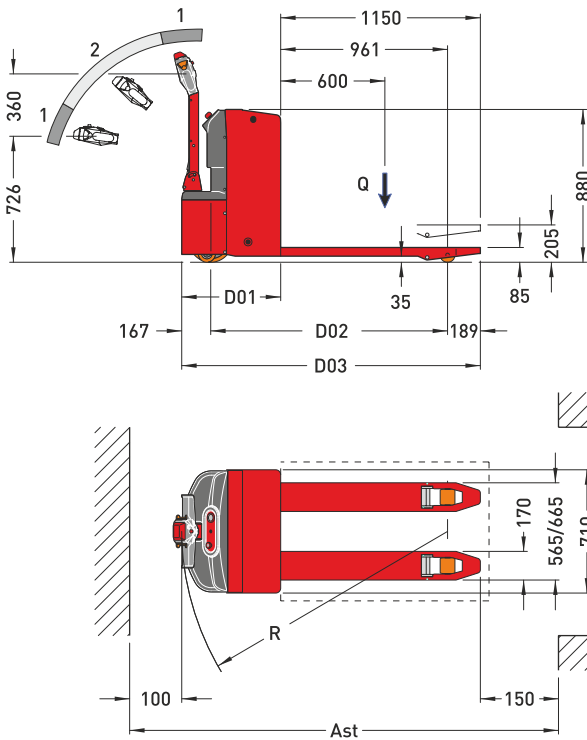


1 - BRAKING
2 - RUNNING



LAST UPDATE: 23/01/2013

GENERAL SPECIFICATIONS

Front track	485 / 585	
Rear track	554	
Height of tiller in gear	min	790
position (Brake releasing)	max	1080
Single front rollers size	standard - poliurethane	ø 85 × 90 (only TPL20)
Double front rollers size	optional - poliurethane	ø 80 × 70 ⁽¹⁾
Drive wheel size	poliurethane	ø 250×79
Additional wheel size	poliurethane	ø 100 × 40
Lifting speed	with load	0,014 m/s
	without load	0,023 m/s
Lowering speed	with load	0,045 m/s
	without load	0,044 m/s
Max gradeability	with load	7,0%
	without load	17,5%
Brake	Elettromagnetic	
Electronic control type	Mosfet 24V 200A	
Traction motor power	Series Excite System	1200 W
Pump power motor	800W	
Noise	65 dB	

NOTE: the width of the forks of 665 mm is an optional

[1]: TPL30 series are always equipped with the double front rollers; TPL30 is not available with the single front rollers.

INTERCHANGEABLE MASTS SPECIFICATIONS

MODEL		TPL20		TPL30	
Load capacity (Q)		2000 kg		3000 kg	
Travel speed	with load	5,0 km/h		4,8 km/h	
	without load	6,0 km/h		5,5 km/h	
Weight (without battery)		280 kg	289 kg	300 kg	311 kg
Length without forks	D01	570	645	570	645
Distance between axles	D02	1364	1439	1364	1439
Total length	D03	1720	1795	1720	1795
Working isle width	Ast	1970	2045	1970	2045
Steering radius	R	1531	1606	1531	1606
Battery box size (L × W × H)		215 × 635 × 660	290 × 635 × 660	215 × 635 × 660	290 × 635 × 660
Traction battery equipped		24V 230Ah	24V 345Ah	24V 230Ah	24V 345Ah

TECHNICAL FEATURES

Pallet truck pedestrian controlled.
MOSFET electronic controller up to 24V 200A.
Packing on wooden pallet included in the price.
24V 1200W drive motor with series excite system complete of electromagnetic brake.
Hydraulic unit up to 24V 800W with electric descending valve.
Forks lifting height of 120 mm.
Battery charge indicator with LCD hours counter and block of the forks with flat battery.
Switch to operate with the tiller in the upright position.
TPL20 forks dimensions: 170×55×L=1.150 mm.
TPL30 forks dimensions: 170×53×L=1.150 mm.
TPL20: single front rollers.
TPL30: double front rollers.
Forks track 565 mm.

OPTIONAL

Heavy Duty pack: metal rear cover
Heavy Duty pack: drive wheel ring in VULKOLLAN®
Forks track 665 mm and forks length 1.150 mm
Forks track 665 mm and forks length 980 mm
Double front rollers (only for TPL20)
Lateral pallet entry and exit rollers
Load holder grate (dimensions 730 × 630 mm)
Drive wheel ring in trail-proof soft polyurethane with carved tread
Cold store version at -30°C
Automatic topping up for batterie complete of tank and connectors